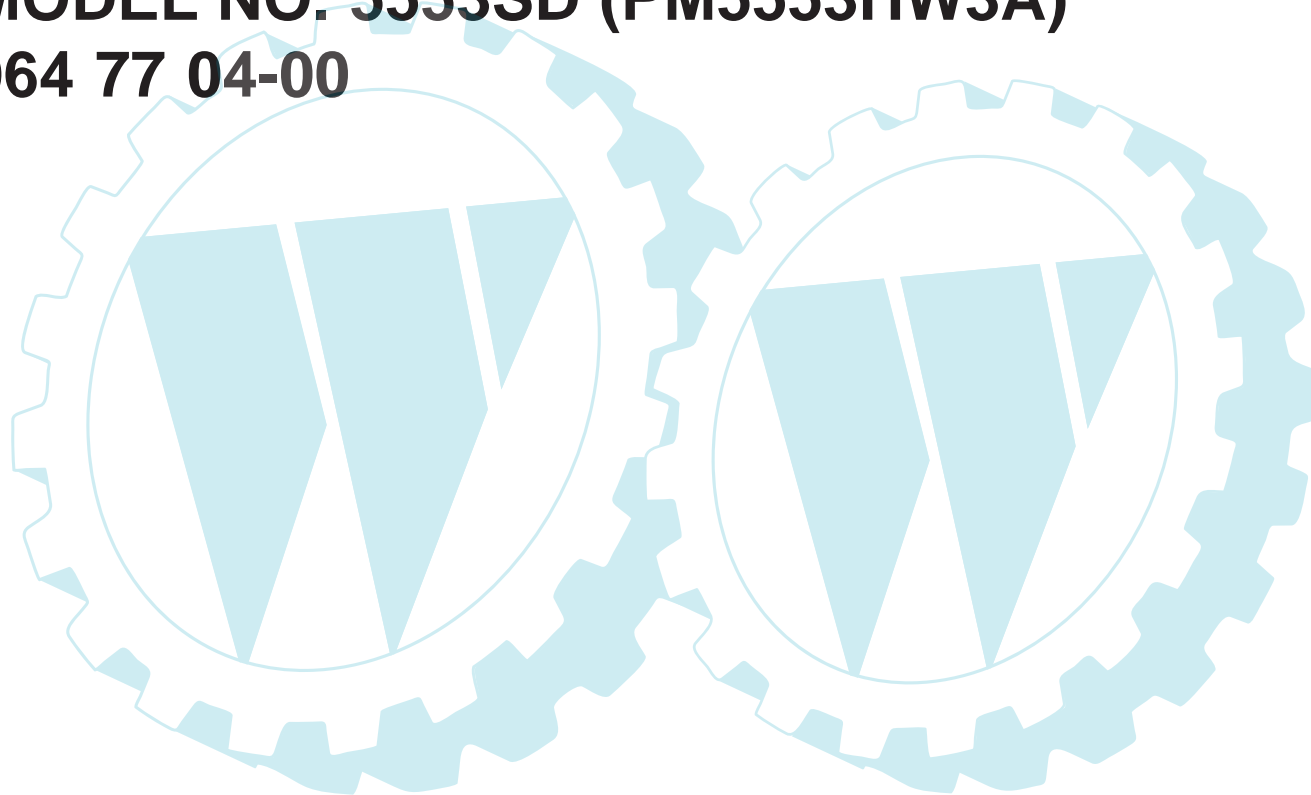
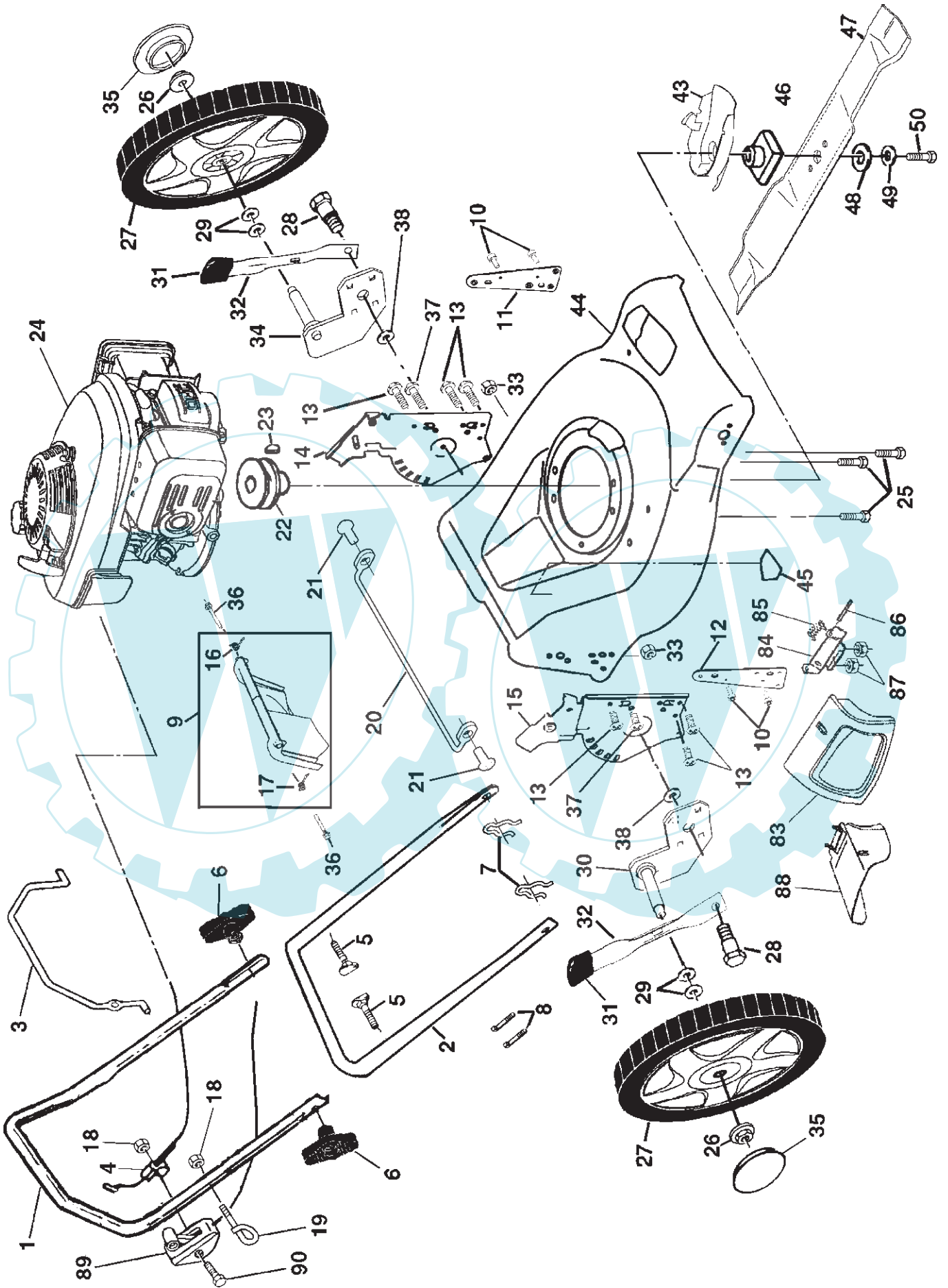


## ILLUSTRATED PARTS BREAKDOWN

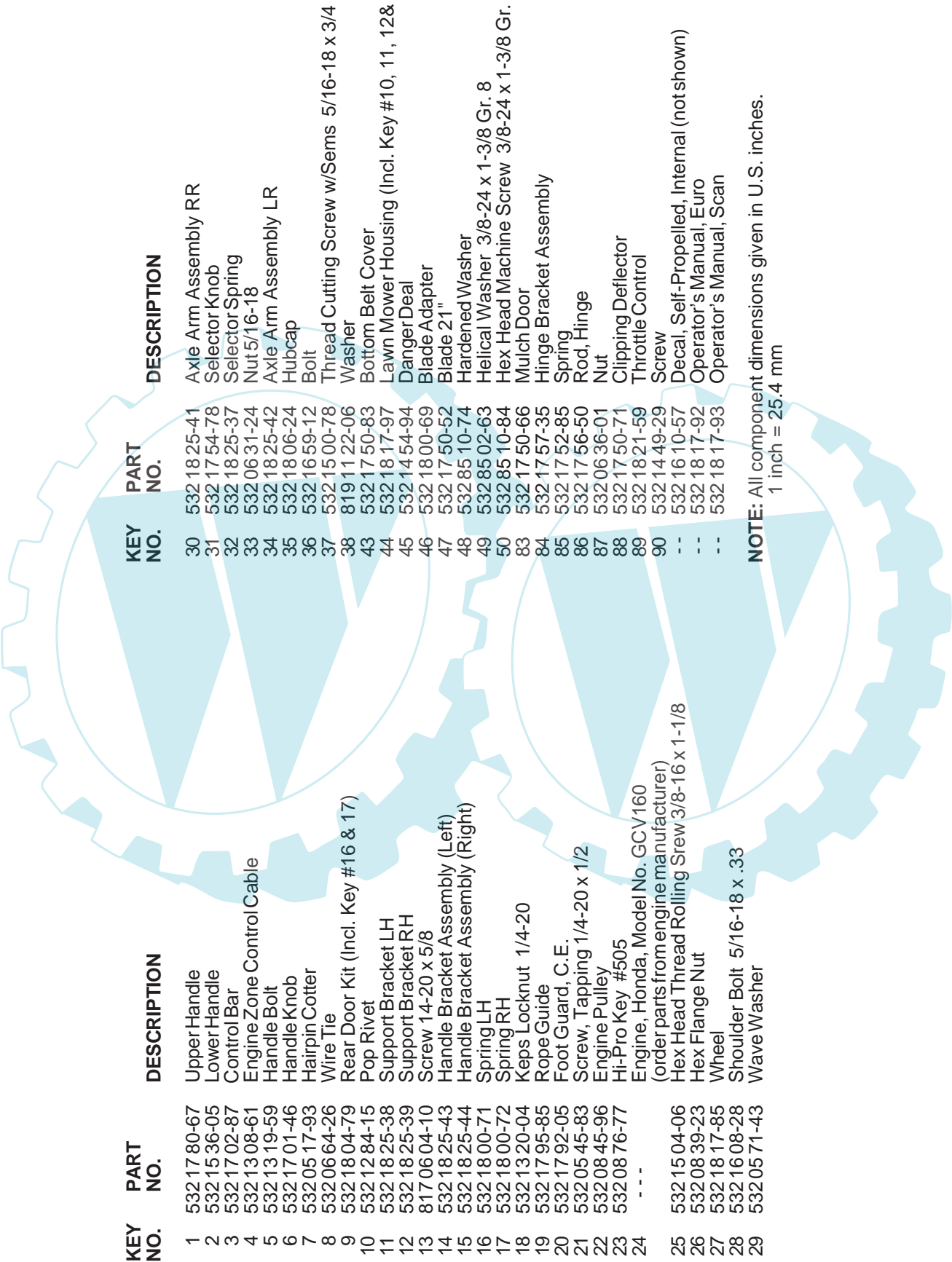
**ELECTROLUX  
5.5 HORSEPOWER  
21" MULTI-CUT LAWN MOWER  
MODEL NO. 5553SD (PM5553HW3A)  
964 77 04-00**



ROTARY LAWN MOWER -- MODEL NUMBER 5553SD (PM5553HW3A) PRODUCT NUMBER 964 77 04-00



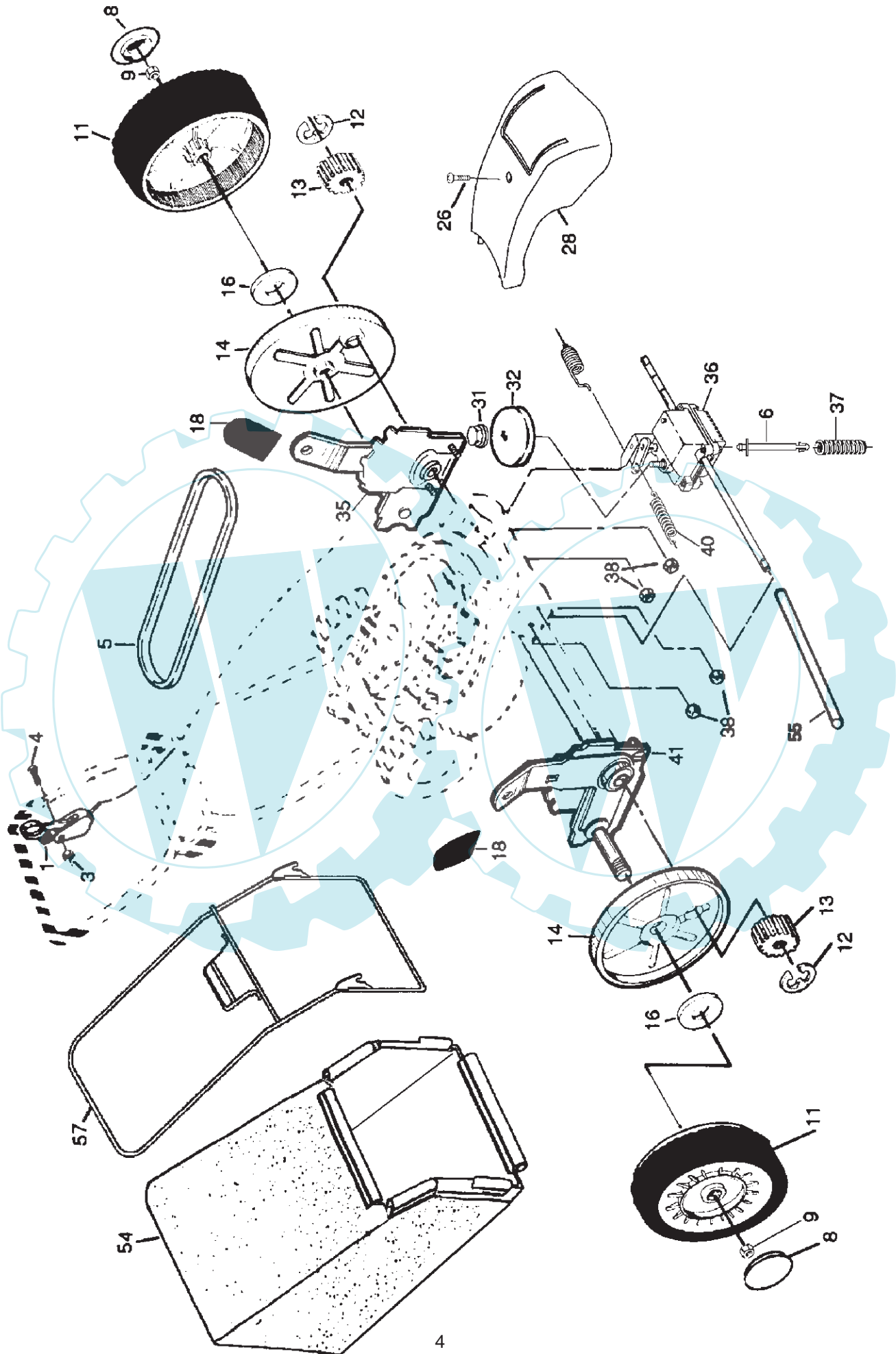
ROTARY LAWN MOWER - - MODEL NUMBER 5553SD (PM5553HW3A) PRODUCT NUMBER 964 77 04-00



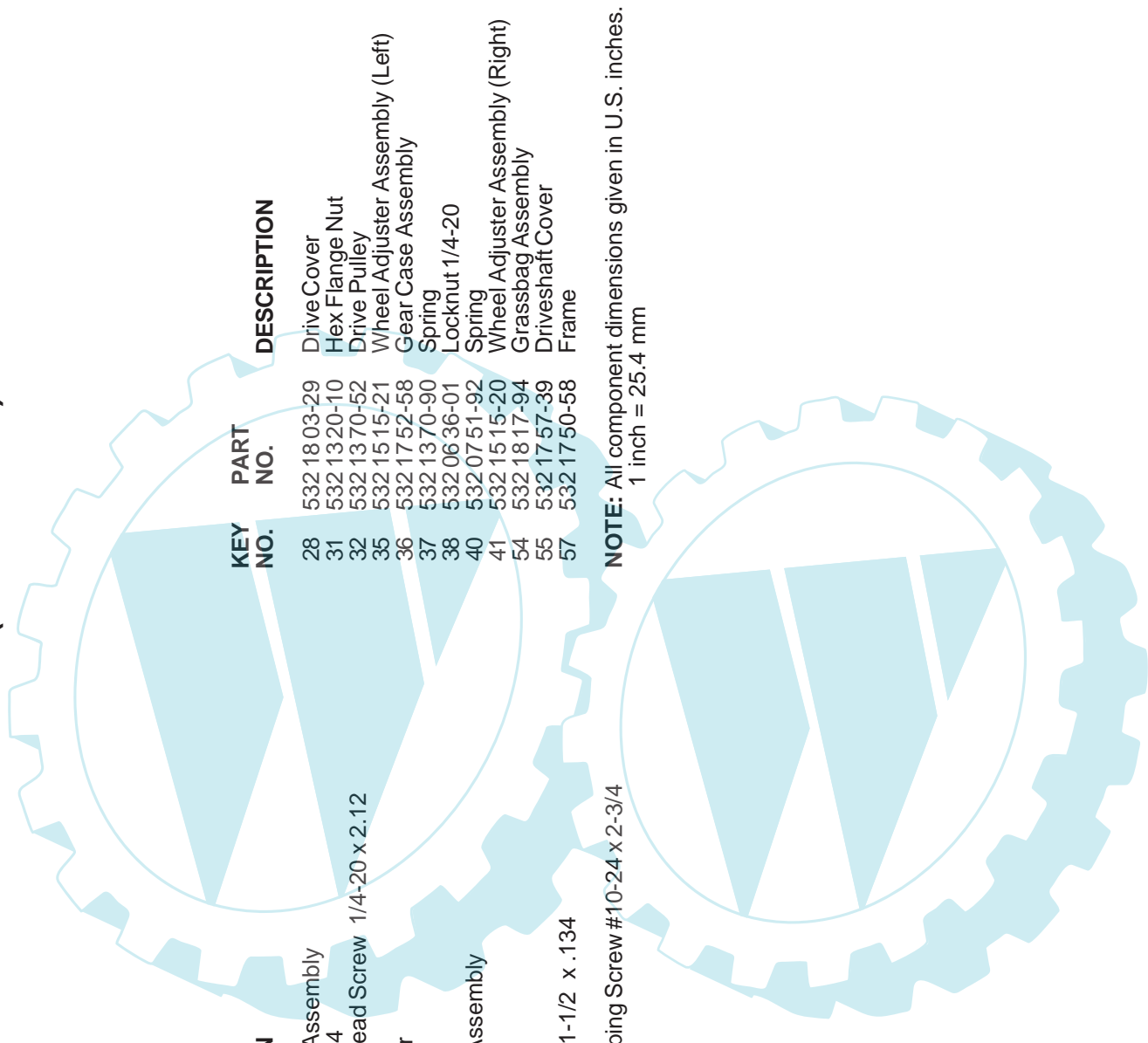
KEY NO.	PART NO.	DESCRIPTION	KEY NO.	PART NO.	DESCRIPTION
1	5321780-67	Upper Handle	30	5321825-41	Axle Arm Assembly RR
2	5321536-05	Lower Handle	31	5321754-78	Selector Knob
3	5321702-87	Control Bar	32	5321825-37	Selector Spring
4	5321308-61	Engine Zone Control Cable	33	5320631-24	Nut 5/16-18
5	5321319-59	Handle Bolt	34	5321825-42	Axle Arm Assembly LR
6	5321701-46	Handle Knob	35	5321806-24	Hubcap
7	5320517-93	Hairpin Cotter	36	5321659-12	Bolt
8	5320664-26	Wire Tie	37	5321500-78	Thread Cutting Screw w/Sems 5/16-18 x 3/4
9	5321804-79	Rear Door Kit (Incl. Key #16 & 17)	38	8191122-06	Washer
10	5321284-15	Pop Rivet	43	5321750-83	Bottom Belt Cover
11	5321825-38	Support Bracket LH	44	5321817-97	Lawn Mower Housing (Incl. Key #10, 11, 12& 45)
12	5321825-39	Support Bracket RH	45	5321454-94	Danger Deal
13	8170604-10	Screw 14-20 x 5/8	46	5321800-69	Blade Adapter
14	5321825-43	Handle Bracket Assembly (Left)	47	5321750-52	Blade 21"
15	5321825-44	Handle Bracket Assembly (Right)	48	5328510-74	Hardened Washer
16	5321800-71	Spring LH	49	5328502-63	Helical Washer 3/8-24 x 1-3/8 Gr. 8
17	5321800-72	Spring RH	50	5328510-84	Hex Head Machine Screw 3/8-24 x 1-3/8 Gr. 8
18	5321320-04	Keps Locknut 1/4-20	83	5321750-66	Mulch Door
19	5321795-85	Rope Guide	84	5321757-35	Hinge Bracket Assembly
20	5321792-05	Foot Guard, C.E.	85	5321752-85	Spring
21	5320545-83	Screw, Tapping 1/4-20 x 1/2	86	5321756-50	Rod, Hinge
22	5320845-96	Engine Pulley	87	5320636-01	Nut
23	5320876-77	Hi-Pro Key #505	88	5321750-71	Clipping Deflector
24	- - -	Engine, Honda, Model No. GCV160 (order parts from engine manufacturer)	89	5321821-59	Throttle Control
25	5321504-06	Hex Head Thread Rolling Srew 3/8-16 x 1-1/8	90	5321449-29	Screw
26	5320839-23	Hex Flange Nut	- -	5321610-57	Decal, Self-Propelled, Internal (notshown)
27	5321817-85	Wheel	- -	5321817-92	Operator's Manual, Euro
28	5321608-28	Shoulder Bolt 5/16-18 x .33	- -	5321817-93	Operator's Manual, Scan
29	5320571-43	Wave Washer			

**NOTE:** All component dimensions given in U.S. inches.  
1 inch = 25.4 mm

ROTARY LAWN MOWER -- MODEL NUMBER 5553SD (PM5553HW3A) PRODUCT NUMBER 964 77 04-00



ROTARY LAWN MOWER - - MODEL NUMBER 5553SD (PM5553HW3A) PRODUCT NUMBER 964 77 04-00



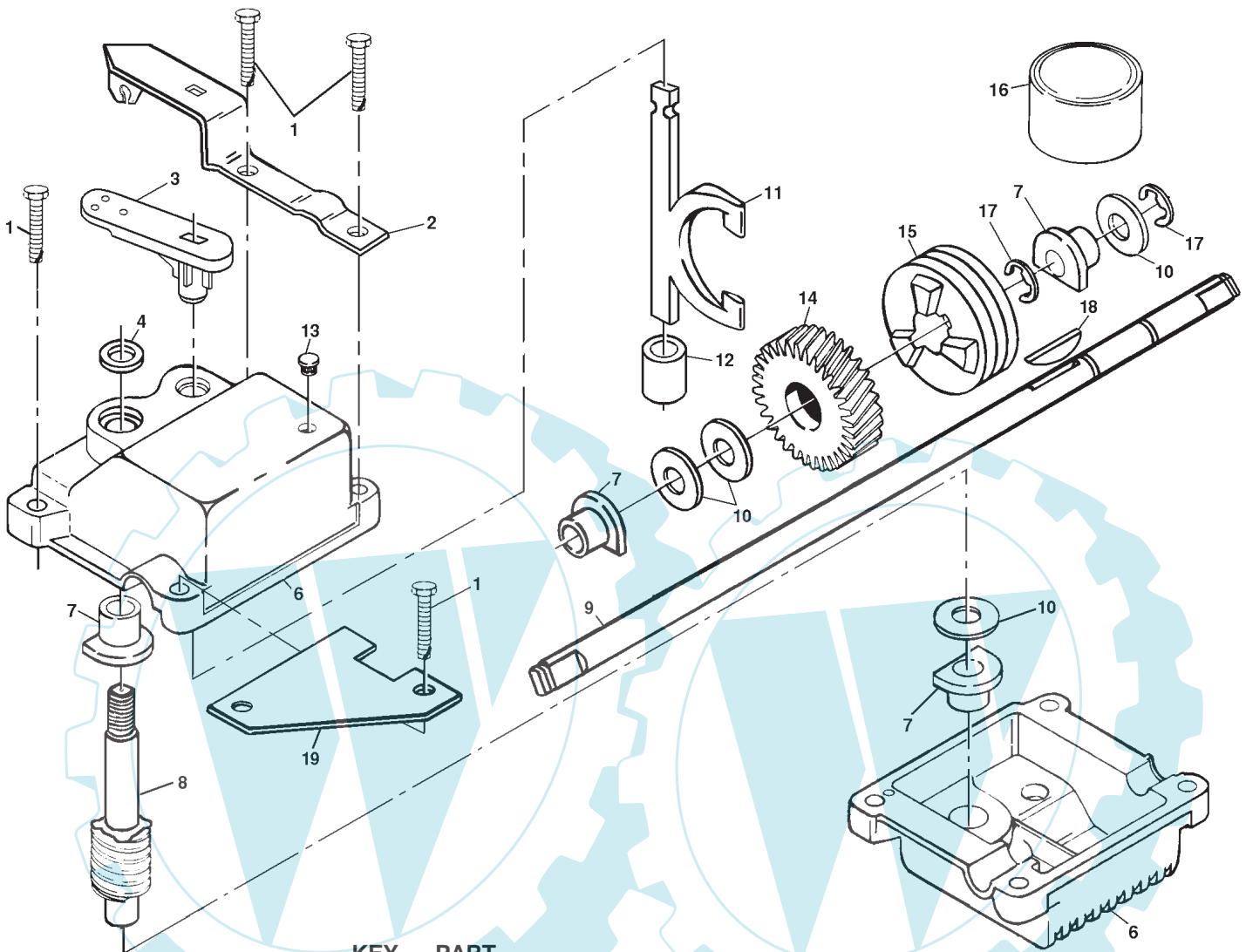
KEY NO.	PART NO.	DESCRIPTION	KEY NO.	PART NO.	DESCRIPTION
1	5321743-18	Control Cable Assembly	28	5321803-29	Drive Cover
3	5327511-52	Locknut #10-24	31	5321320-10	Hex Flange Nut
4	5321587-55	Hex Washer Head Screw 1/4-20 x 2.12	32	5321370-52	Drive Pulley
5	5321754-36	V-Belt	35	5321515-21	Wheel Adjuster Assembly (Left)
6	5321504-95	Spring Retainer	36	5321752-58	Gear Case Assembly
8	5321643-78	Hubcap	37	5321370-90	Spring
9	5321452-12	Locknut	38	5320636-01	Locknut 1/4-20
11	5321807-67	Wheel & Tire Assembly	40	5320751-92	Spring
12	8120000-58	E-Ring	41	5321515-20	Wheel Adjuster Assembly (Right)
13	5321370-54	Pinion	54	5321817-94	Grassbag Assembly
14	5321805-04	Dust Cover	55	5321757-39	Driveshaft Cover
16	5320677-25	Washer 1/2 x 1-1/2 x .134	57	5321750-58	Frame
18	5321701-43	Selector Knob			
26	5321752-62	Pan Head Tapping Screw #10-24 x 2-3/4			

**NOTE:** All component dimensions given in U.S. inches.  
1 inch = 25.4 mm

ROTARY LAWN MOWER - - MODEL NUMBER PM5553HW3A (5553SD)

PRODUCT NUMBER 964 77 04-00

GEARCASE ASSEMBLY - PART NUMBER 532 17 52-58



KEY NO.	PART NO.	DESCRIPTION
1	817 4904-16	Tapping Screw 1/4-20 x 1-1/4
2	532 18 25-40	Engagement Bracket
3	532 13 70-53	Shifter
4	532 05 70-72	Seal
6	532 04 83-73	Gear Case Halves Kit (Includes Key Numbers 4 and 7)
7	532 07 78-81	Bearing
8	532 13 70-51	Worm Shaft
9	532 17 52-57	Drive Shaft
10	532 05 70-79	Hardened Washer
11	532 13 14-84	Clutch Yoke
12	532 70 03-43	Bushing
13	532 08 64-47	Plug
14	532 13 70-50	Helical Gear
15	532 75 04-36	Clutch Jaw
16	532 75 03-69	Grease
17	812 00 00-03	E-Ring
18	532 85 08-48	Hi-Pro Key
19	532 12 54-41	Spring Bracket

**NOTE:** All component dimensions given in U.S. inches.  
1 inch = 25.4 mm